

# INSTRUCTION MANUAL

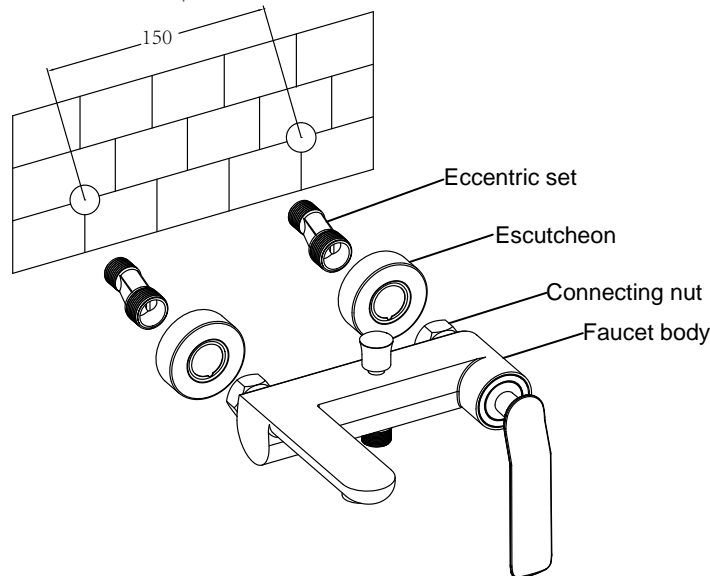
## I. Installation Notice

1. Install water supply lines in accordance with this manual.
2. Floor drain should be installed in the location of the faucet.
3. Install faucets only after the completion of house interior decoration in case paint or other chemicals erode faucet surface.
4. Clean pipes before installation to get rid of mud, sand or other debris.
5. If the thread of pipes don't match well with product, please find out the reason first, otherwise a forced connection will damage the faucet.
6. After installation, ensure all the joints are firmly connected. Then turn on water supply and open faucet repeatedly to make sure there are no leaks. At this stage, the product is ready for normal use.
7. Keep the manual to the user.

## II. Operation Notice

1. The working condition of this product is water pressure 0.05~1.0MPa, water temperature 4~90°C.
2. Do not hang heavy things on the faucet.
3. Make sure the faucet is off when no water comes out of it (especially when nobody resides in or during the period of decoration or suspend of water).
4. Regularly clean the surface of faucet to keep it bright. Attention: do not use inappropriate tools such as sharp brushes, rough sponges, scouring pads or corrosive detergent to clean the faucet, and we do not recommend that you use the detergent sold in the market, because its formula is changing frequently. Please clean the faucet by a wet cotton cloth with soapy water, then rinse and dry with a soft cotton cloth after each time of usage.
5. When the room temperature drops to below 0°C, take necessary measures (such as keeping faucet warm and closing windows) to prevent the faucet from being frozen or even broken (especially when windows kept open for air ventilation while nobody resides in).
6. Please open the cold and hot water in turn and adjust to comfortable temperature before washing, do not touch the hot part of faucet to avoid scald.
7. Do not disassemble the product unless you are an expert.

## ■ Installation Diagram



## ■ Installation Steps

1. Pave inlet pipes at proper height on the wall as hot on left and cold on right, center distance 150mm.
2. Flow water to get rid of dirt in pipes.
3. Wrap eccentric sets (with rubber washer) with teflon tape and screw to outlet of pipes, tighten with wrench.  
Adjust eccentric sets to level and parallel position, center distance 150mm.
4. Pad escutcheon to connecting nuts, secure connecting nuts to eccentric sets firmly.
5. Close escutcheon to the wall.
6. Flow water to check if the installation is qualified.