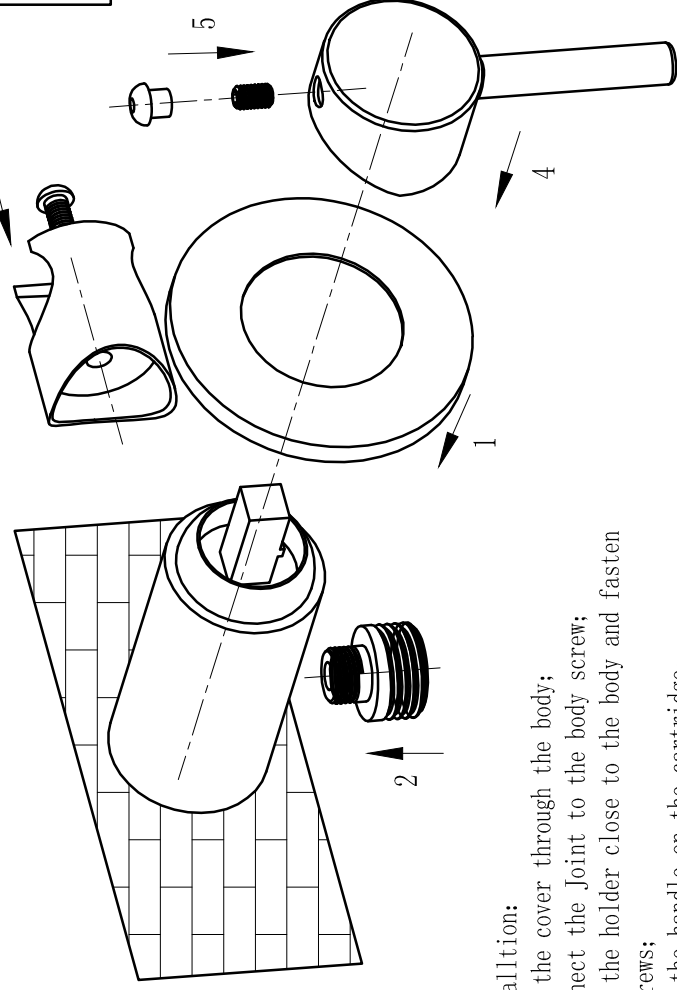
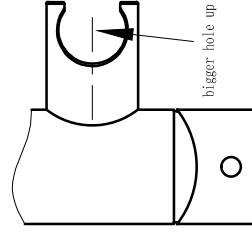


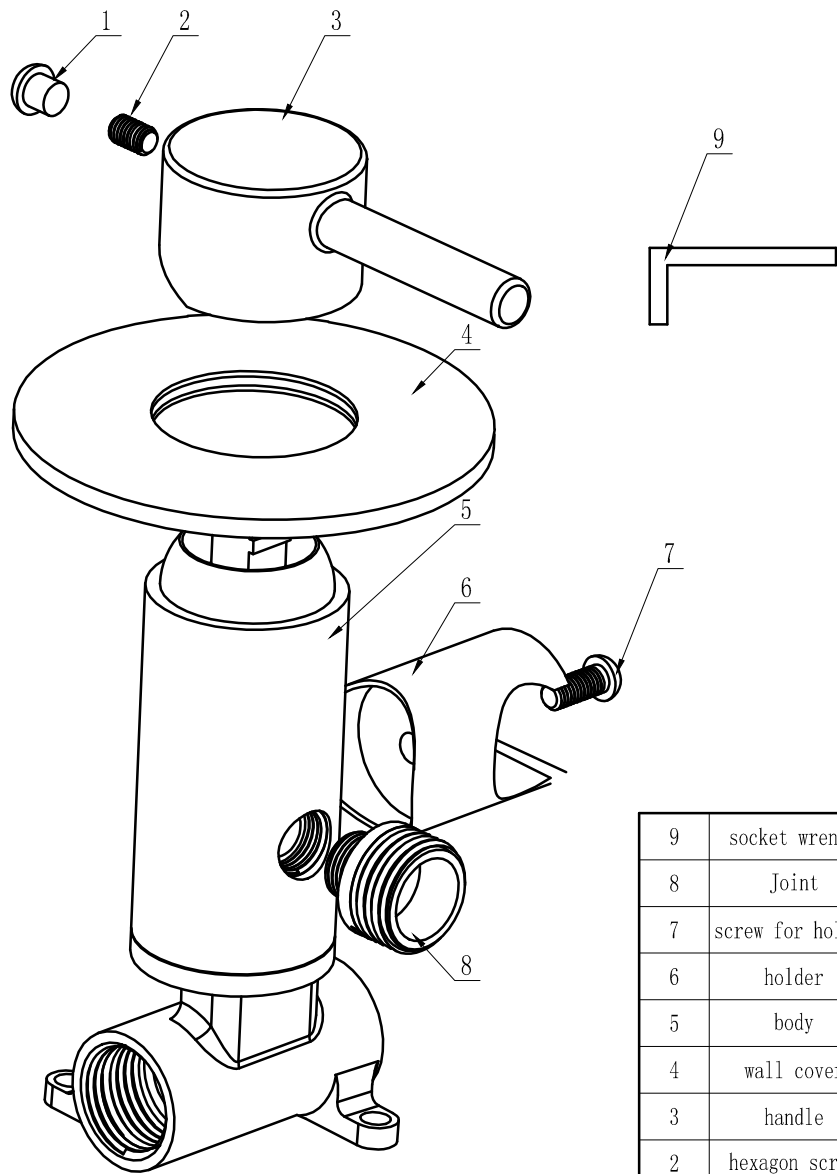
Part List and Installation



Installation:

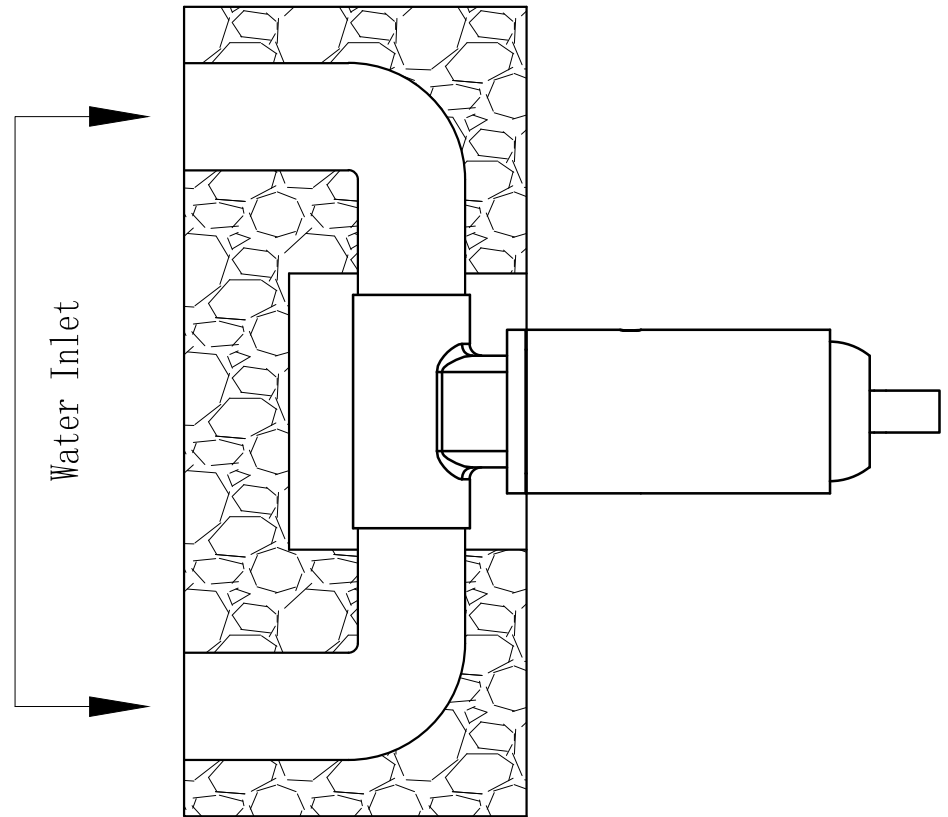
- 1, Put the cover through the body;
- 2, Connect the Joint to the body screw;
- 3, Put the holder close to the body and fasten two screws;
- 4, Put the handle on the cartridge;
- 5, Fix the hexagon screw with socket wrench then put the blue and red plug in.





9	socket wrench	1
8	Joint	1
7	screw for holder	1
6	holder	1
5	body	1
4	wall cover	1
3	handle	1
2	hexagon screw	1
1	Blue and red plug	1
Item No	Name	QTY

standard Part List



Installation 1